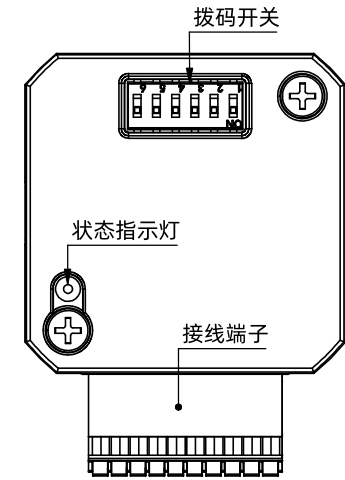
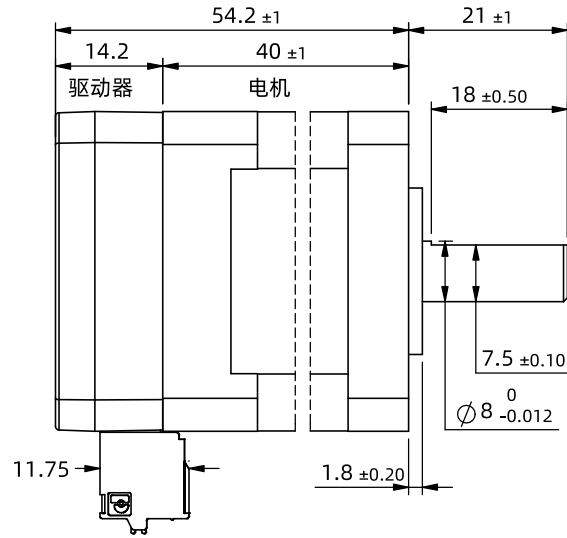
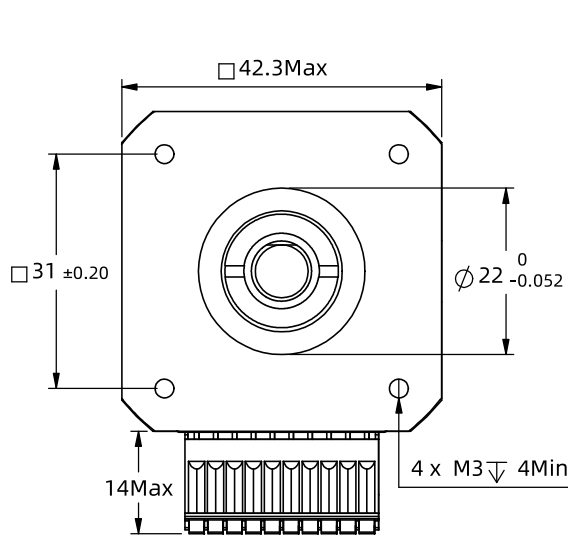


※ 尺寸/Dimensions 单位/Unit: (mm)



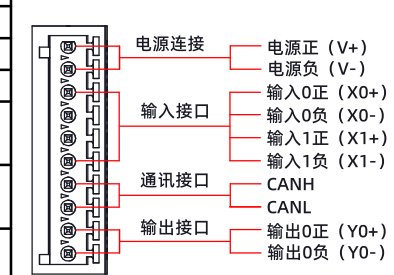
※ 规格 / Specification

| | |
|--------|----------------------------|
| 输入电压范围 | 9-48vdc |
| 输出力矩范围 | 最大0.4N.m |
| 通讯方式 | CANopen; TTL |
| 细分设置 | 软件设置≥200任意正整数, 出厂默认4000 |
| 电流设置 | 0.2~3.2软件可调, 出厂适配电机: 2.0 A |
| 编码器反馈 | 4096线(16384 Counts)编码器反馈 |
| 非易失性存储 | 配置参数储存在MCU内部的FLASH中 |
| 相电阻 | 1.1 Ω±20% |
| 相电感 | 2.0 mH±20% |
| 重量 | ≈0.35 Kg |
| 转子惯量 | ≈ 54 g.cm ² |

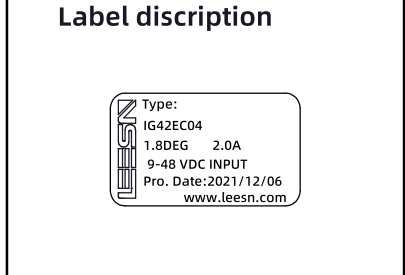
※ 端口功能 / Port Function

| 序号 | 名称 | 功能 |
|----|------|---|
| 1 | V+ | 电源正 (9-48vdc) |
| 2 | V- | 电源地 (GND) |
| 3 | X0+ | 光电隔离, 差分, 兼容5-24VDC, 可作为通用输入或高速脉冲输入, 滤波频率400KHz, 可通过上位机定义端口功能, 滤波频率。 |
| 4 | X0- | |
| 5 | X1+ | 光电隔离, 差分, 兼容5-24VDC, 可作为通用输入或高速脉冲输入, 滤波频率400KHz, 可通过上位机定义端口功能, 滤波频率。 |
| 6 | X1- | |
| 7 | CANH | 通讯端口, 支持 CIA301 和 CiA402 标准规范。通过主站 CAN 指令可对从站驱动器进行控制, 最高通讯速率可达 1Mbps/s。出厂默认500K |
| 8 | CANL | |
| 9 | Y0+ | 报警状态输出端口, 可检测电机报警状态, 默认常闭, 正常时输出。可通过软件取反或设置成其他功能。 |
| 10 | Y0- | |

※ 端子定义 / Terminal def.



※ 铭牌内容 / Label description



※ 拨码设置 / Serial port Settings

USB串口参数设置: 波特率: 115200; 数据位: 8; 停止位: 1; 校验: 无。

| 地址 | 1 | 2 | 3 | 4 | 5 | 6 | 7 | 8 | 9 | 10 | 11 | 12 | 13 | 14 | 15 | 16 | 17 | 18 | 19 | 20 | 21 | 22 | 23 | 24 | 25 | 26 | 27 | 28 | 29 | 30 | 31 | 32 |
|-----|----|-----|-----|-----|-----|-----|-----|-----|-----|-----|-----|-----|-----|-----|-----|-----|----|-----|-----|-----|-----|-----|-----|-----|----|-----|-----|-----|-----|-----|-----|-----|
| SW1 | ON | OFF | ON | OFF | ON | OFF | ON | OFF | ON | OFF | ON | OFF | ON | OFF | ON | OFF | ON | OFF | ON | OFF | ON | OFF | ON | OFF | ON | OFF | ON | OFF | ON | OFF | ON | OFF |
| SW2 | ON | ON | OFF | OFF | ON | ON | OFF | OFF | ON | ON | OFF | OFF | ON | ON | OFF | OFF | ON | ON | OFF | OFF | ON | ON | OFF | OFF | ON | ON | OFF | OFF | ON | ON | OFF | OFF |
| SW3 | ON | ON | ON | ON | OFF | OFF | OFF | OFF | ON | ON | ON | ON | OFF | OFF | OFF | OFF | ON | ON | ON | ON | OFF | OFF | OFF | OFF | ON | ON | ON | ON | OFF | OFF | OFF | OFF |
| SW4 | ON | ON | ON | ON | ON | ON | ON | ON | OFF | OFF | OFF | OFF | OFF | OFF | OFF | ON | ON | ON | ON | ON | ON | ON | ON | ON | ON | ON | ON | ON | ON | ON | ON | ON |
| SW5 | ON | ON | ON | ON | ON | ON | ON | ON | ON | ON | ON | ON | ON | ON | ON | ON | ON | ON | ON | ON | ON | ON | ON | ON | ON | ON | ON | ON | ON | ON | ON | ON |

SW6:用于设定终端电阻, OFF时为0欧姆, ON时为120欧姆; 设置为ON时, 发送端也需要配同样阻值的电阻。更多地址通过软件设置起始ID设置。

| | | |
|--|----------------|-------------|
| 第一角画法 Frist Angel View | 型号/Model | IG42EC04 |
| | 品号/Product No. | |
| 公差 Tolerance | 比例 Scale | 页码 Sheet |
| ±0.3 | 1:1 | 1/1 |
| 名称/Name 集成式步进伺服 Integrated step servo | | |

LEESN 深圳市立三机电有限公司
Shenzhen Lisan Machinery & Electric Co., Ltd